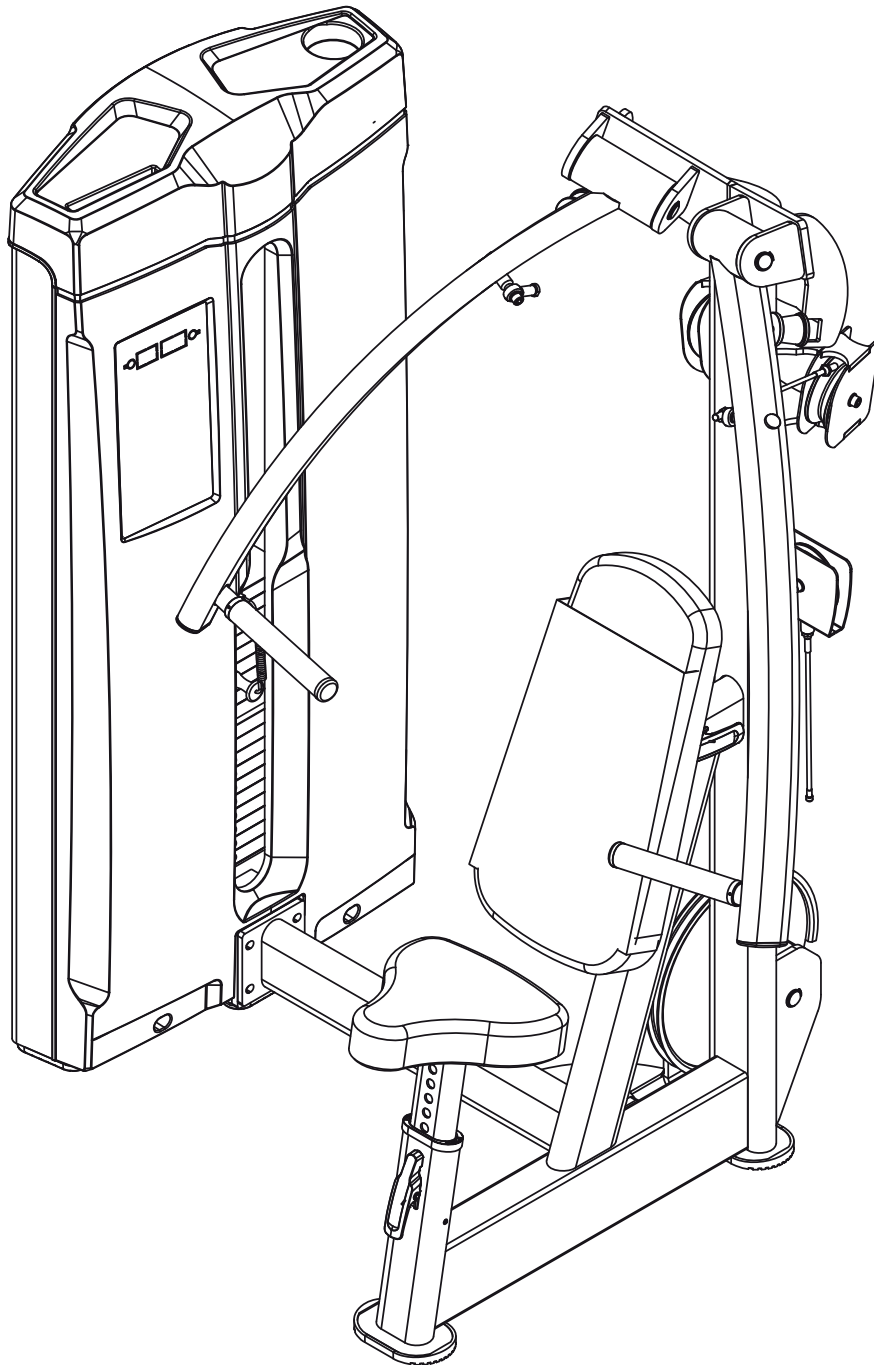
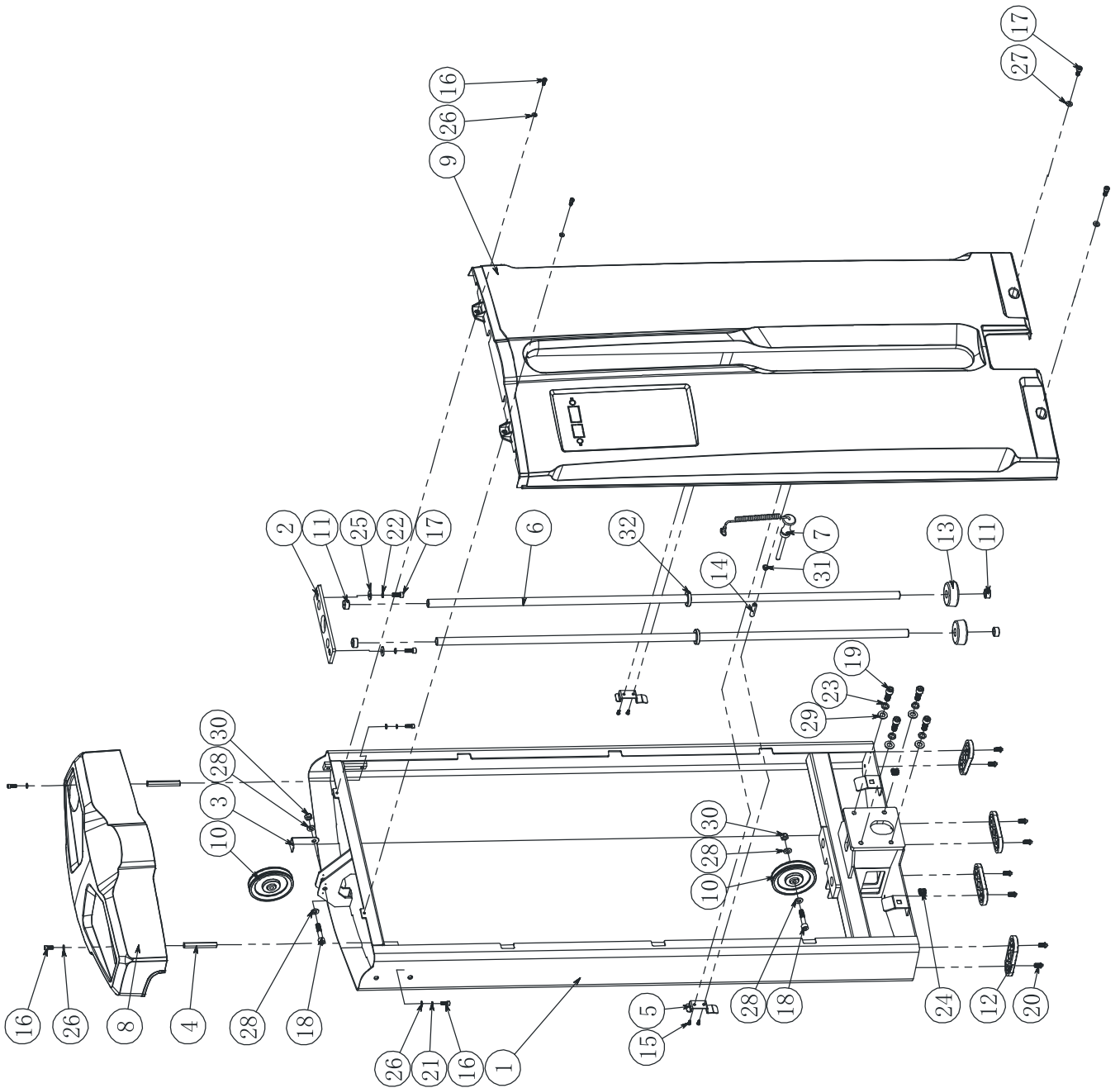


PC1620 Seated Chest Press



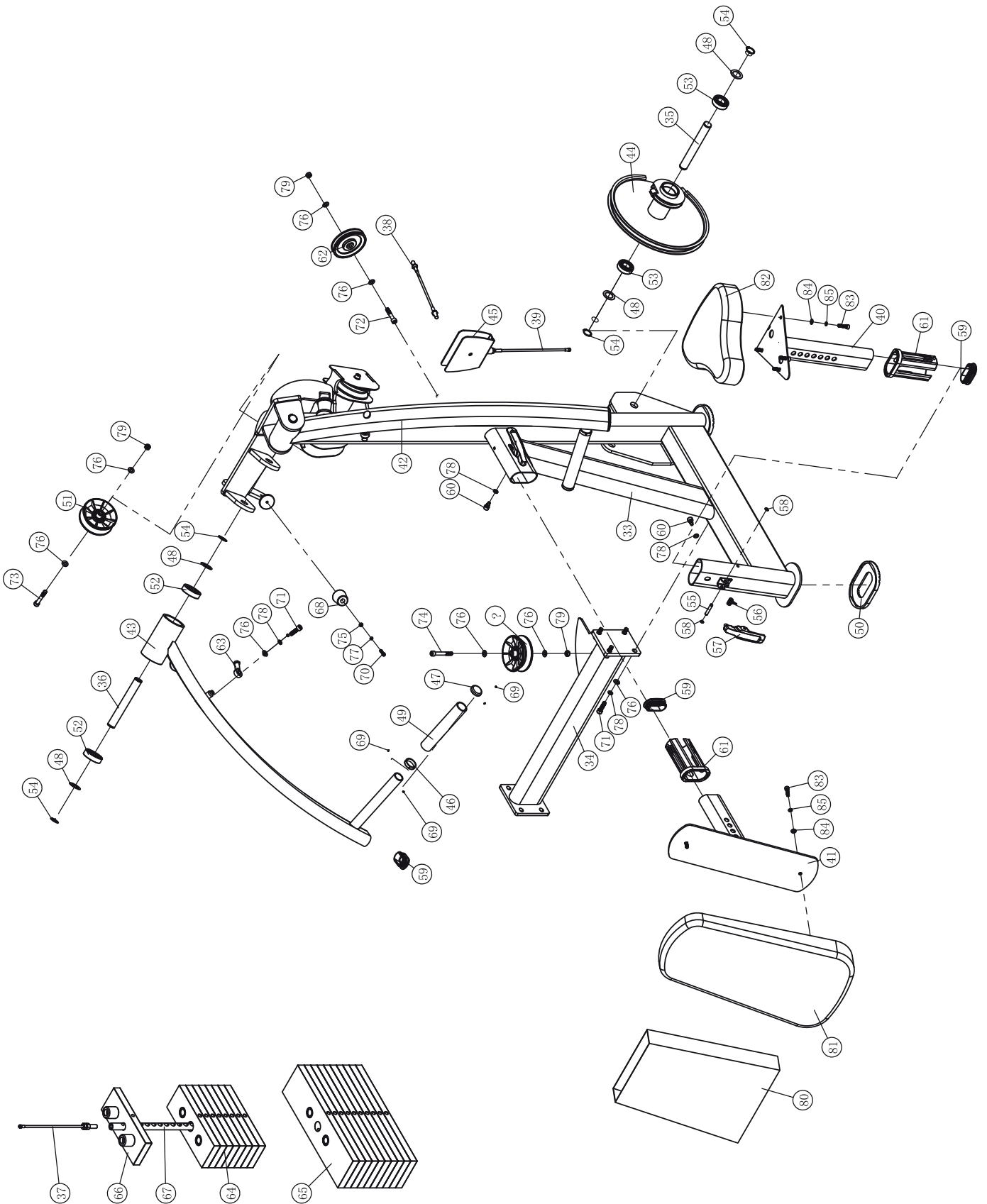
Doorframe Exploded View



Doorframe Exploded List

No.	Description	Specifications	Qty
1	Doorframe		1
2	Guild rod stator		1
3	Pulley catch		1
4	Shield fixation column		2
5	Shield fixation plate		2
6	Guide rod		2
7	Selector pin		1
8	Upper shield		1
9	Front shield		1
10	Pulley	Φ 114*25.4	2
11	Rod end cover		4
12	Rubber mat		4
13	Rubber bumper	Φ62*Φ20*26	2
14	Spring pin	Φ10*45	1
15	Cross recess pan head self-tapping screw	ST4.2*13	4
16	Hex socket head cap screw	M6*16	6
17	Hex socket head cap screw	M8*20	4
18	Hex socket head cap screw	M10*50	2
19	Hex socket head cap screw	M12*30	4
20	Hexagon socket button head screw	M8*16	8
21	Spring washer	M6	2
22	Spring washer	M8	2
23	Spring washer	M12	4
24	Cage nut	M8	2
25	Big washer	Φ24*Φ8.4*2	2
26	Plain washer	Φ12*Φ6.4*1.6	6
27	Plain washer	Φ16*Φ8.4*1.6	2
28	Plain washer	Φ20*Φ10.5*2	4
29	Plain washer	Φ24*Φ13*2.5	4
30	Nylon insert lock nut	M10	2
31	Stopple	Φ 10*8.5	1
32	Rubber bumper	Φ38*Φ21*10	2
33			
34			
35			
36			
37			
38			
39			
40			
41			
42			

Main frame Exploded View



Main frame Exploded List

No.	Description	Specifications	Qty
33	Main upright frame		1
34	Bottom joint frame		1
35	Axle 2		1
36	Axle 1		2
37	Cable set 3		1
38	Cable set 1		1
39	Cable set 2		1
40	Seat adjusting bracket		1
41	Back pad adjusting bracket		1
42	Left press frame		1
43	Right press frame		1
44	Cam holder		1
45	Pulley cage		1
46	Aluminum ring		2
47	Aluminum end cap		2
48	Plastic washer		6
49	Handle grip	Φ37.5*Φ31*215	2
50	Affixed to shackle		2
51	Wide pulley		3
52	Rolling bearing	GB T276-94 6305	4
53	Rolling bearing	GB T276-94 6205	2
54	Circlips for shaft	D0=25	6
55	Fixed axle		2
56	Torsion spring		2
57	Adjusting handle		2
58	Split washer	d=6	4
59	Elliptical tube stopper		4
60	Limiting screw		2
61	Hollow pipe sleeve		2
62	Pulley		1
63	Rod end		2
64	10lb weight stack plate		8
65	20lb weight stack plate		10
66	10lb counterweight		1
67	19holes shaft		1
68	Rubber bumper		2
69	Hexagon socket set screws with cone point	M4*3	8
70	Hex socket head cap screw	M6*30	2
71	Hex socket head cap screw	M10*35	6
72	Hex socket head cap screw	M10*50	1
73	Hex socket head cap screw	M10*70	2
74	Hex socket head cap screw	M10*75	1

Main frame Exploded List

No.	Description	Specifications	Qty
75	M6 Plain washer	Φ12*Φ6.4*1.6	2
76	M10 Plain washer	Φ20*Φ10.5*2	14
77	Spring washer	M6	2
78	Spring washer	M10	8
79	Nylon insert lock nut	M10	4
80	Backrest cover	450*333*65	1
81	Backrest cushion	340*632*80	1
82	Seat pad	308*325*70	1
83	Seat cover	M8*30	6
84	Plain washer	Φ16*Φ8.4*1.6	6
85	Spring washer	M8	6
86			
87			
88			
89			
90			
91			
92			
93			
94			
95			
96			
97			
98			
99			
100			
101			
102			
103			
104			
105			
106			
107			
108			
109			
110			
111			
112			
113			
114			
115			
116			