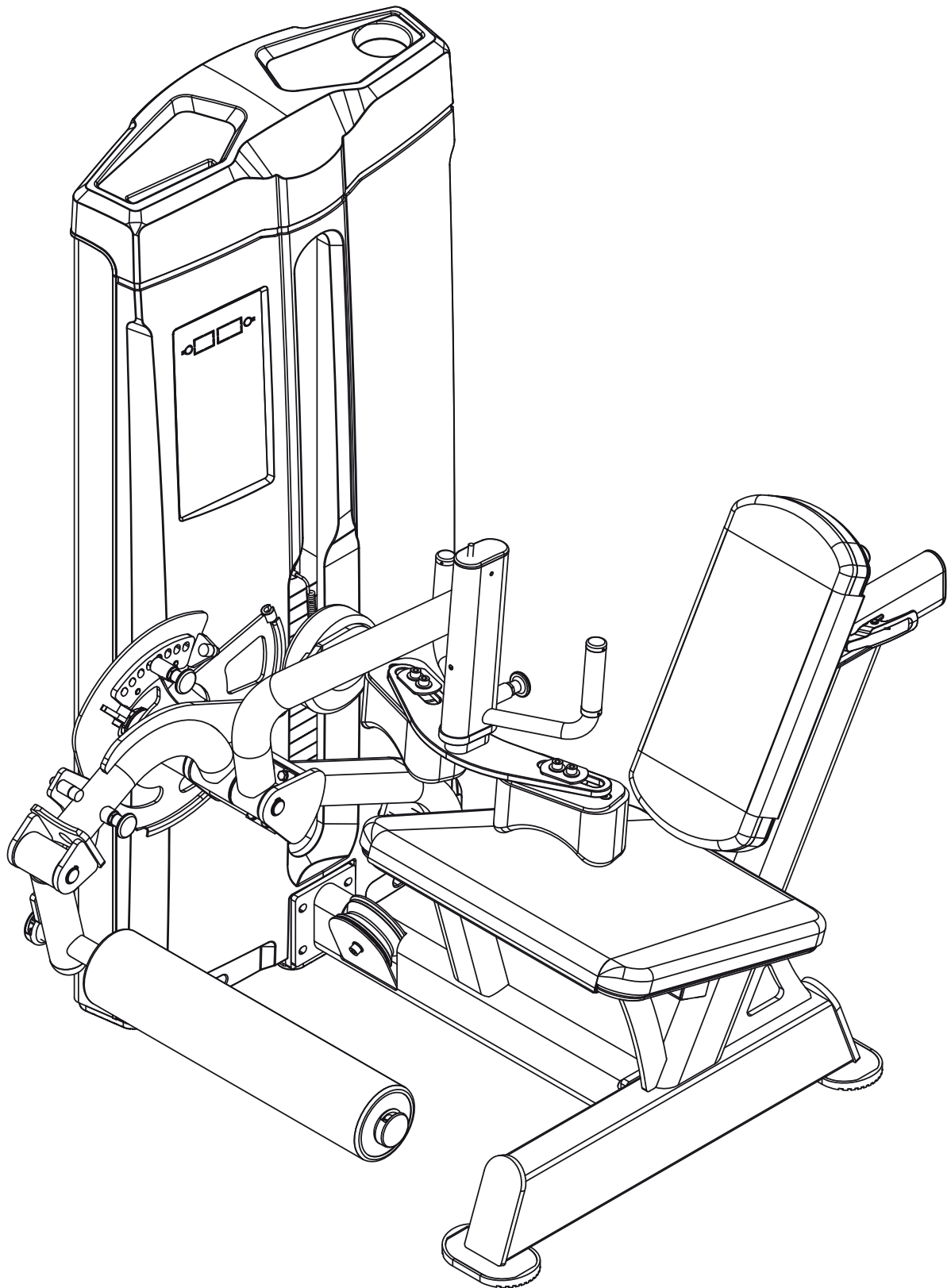
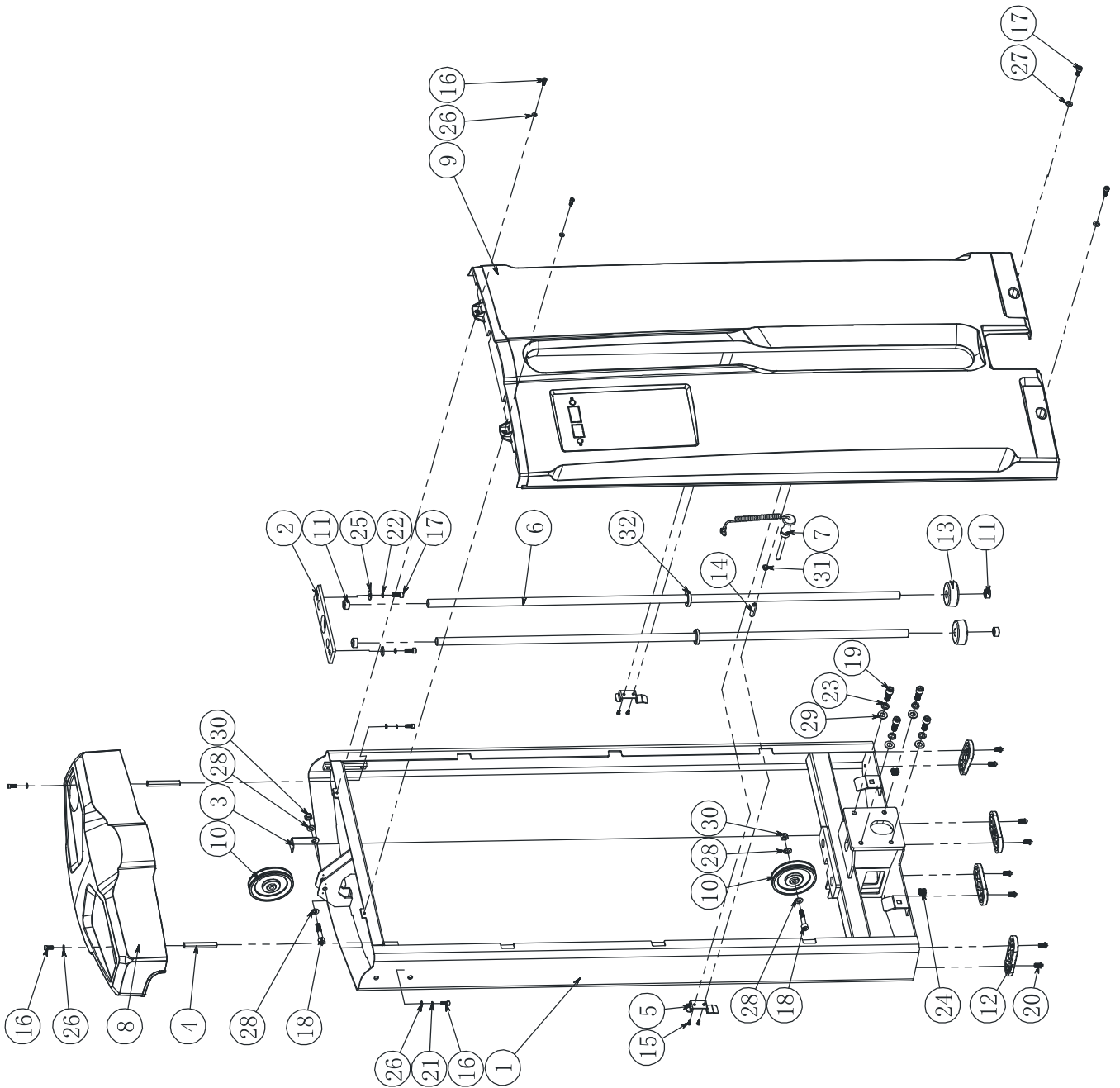


PC1623 Seated Leg Curl



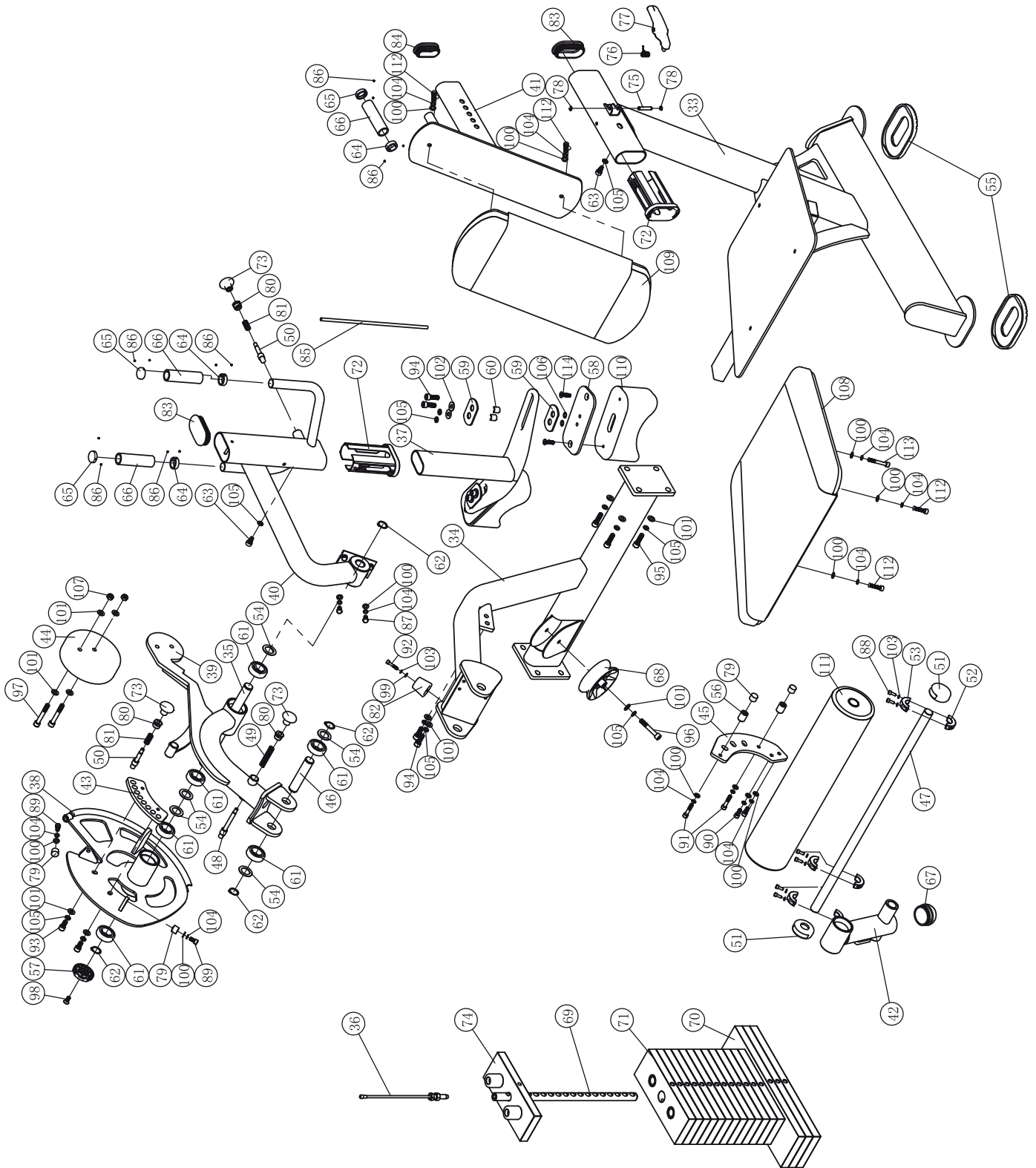
Doorframe Exploded View



Doorframe Exploded List

No.	Description	Specifications	Qty
1	Doorframe		1
2	Guild rod stator		1
3	Pulley catch		1
4	Shield fixation column		2
5	Shield fixation plate		2
6	Guide rod		2
7	Selector pin		1
8	Upper shield		1
9	Front shield		1
10	Pulley	Φ 114*25.4	2
11	Rod end cover		4
12	Rubber mat		4
13	Rubber bumper	Φ62*Φ20*26	2
14	Spring pin	Φ10*45	1
15	Cross recess pan head self-tapping screw	ST4.2*13	4
16	Hex socket head cap screw	M6*16	6
17	Hex socket head cap screw	M8*20	4
18	Hex socket head cap screw	M10*50	2
19	Hex socket head cap screw	M12*30	4
20	Hexagon socket button head screw	M8*16	8
21	Spring washer	M6	2
22	Spring washer	M8	2
23	Spring washer	M12	4
24	Cage nut	M8	2
25	Big washer	Φ24*Φ8.4*2	2
26	Plain washer	Φ12*Φ6.4*1.6	6
27	Plain washer	Φ16*Φ8.4*1.6	2
28	Plain washer	Φ20*Φ10.5*2	4
29	Plain washer	Φ24*Φ13*2.5	4
30	Nylon insert lock nut	M10	2
31	Stopple	Φ 10*8.5	1
32	Rubber bumper	Φ38*Φ21*10	2
33			
34			
35			
36			
37			
38			
39			
40			
41			
42			

Main frame Exploded View



Main frame Exploded List

No.	Description	Specifications	Qty
33	Main frame		1
34	Middle link span		1
35	Axle		1
36	Cable set		1
37	Thigh pad adjusting frame		1
38	CAM combination		1
39	Swing span		1
40	Inclined bracing frame		1
41	Back pad adjusting bracket		1
42	Lower swing span		1
43	Adjusting board		1
44	Counter weight		1
45	Adjustment sheet 1		1
46	Axle		1
47	Swing axle		1
48	Pilot plunger		1
49	Spring		1
50	Pilot plunger		2
51	Protecting jacket		2
52	Lower fixed ring		3
53	Upper fixed ring		3
54	Plastic washer		5
55	Affixed to shackle		2
56	Spacer		2
57	End cap		1
58	Shoulder pad subplate		2
59	Nylon subplate		4
60	Aluminum bush		4
61	Rolling bearing	GB/T 276-94 6205	6
62	Circlips for shaft	D0=25	4
63	Limiting screw		2
64	Aluminum ring		3
65	Aluminum end cap		3
66	Handle grip		3
67	Hemisphere tube plug		1
68	Wide pulley		1
69	17holes shaft		1
70	20lb weight stack plate		3
71	10lb weight stack plate		13
72	Hollow pipe sleeve		2
73	Rotary knob		3
74	10lb counterweight		1

Main frame Exploded List

No.	Description	Specifications	Qty
75	Fixed axle		1
76	Torsion spring		1
77	Adjusting handle		1
78	Split washer	d=6	2
79	Limit circle pad		4
80	M20 nut		3
81	Spring		2
82	Rubber bumper		1
83	Elliptical tube stopper		2
84	Elliptical tube stopper		1
85	Rubber rope	Φ8*350	1
86	Hexagon socket set screws with cone point	M4*3	12
87	Hex bolt	M8*15	4
88	Hex socket head cap screw	M6*15	6
89	Hex socket head cap screw	M8*15	2
90	Hex socket head cap screw	M8*20	2
91	Hex socket head cap screw	M8*40	2
92	Hex socket head cap screw	M6*30	1
93	Hex socket head cap screw	M10*20	2
94	Hex socket head cap screw	M10*30	6
95	Hex socket head cap screw	M10*35	4
96	Hex socket head cap screw	M10*65	1
97	Hex socket head cap screw	M10*70	2
98	Countersunk hex socket screws	M8*20	1
99	M6 Plain washer	Φ12*Φ6.4*1.6	1
100	M8 Plain washer	Φ16*Φ8.4*1.6	15
101	M10 Plain washer	Φ20*Φ10.5*2	13
102	M10 Big washer	Φ25*Φ10.5*2	4
103	Spring washer	M6	7
104	Spring washer	M8	15
105	Spring washer	M10	13
106	Two-sided gear washer	Φ10.5*Φ16*1	4
107	Nylon insert lock nut	M10	2
108	Seat pad		1
109	Backrest cushion		1
110	Shoulder pads		2
111	Long tube pad		1
112	Hex socket head cap screw	M8*30	4
113	Hex socket head cap screw	M8*55	1
114	Countersunk hex socket screws	M8*30	4
115			
116			