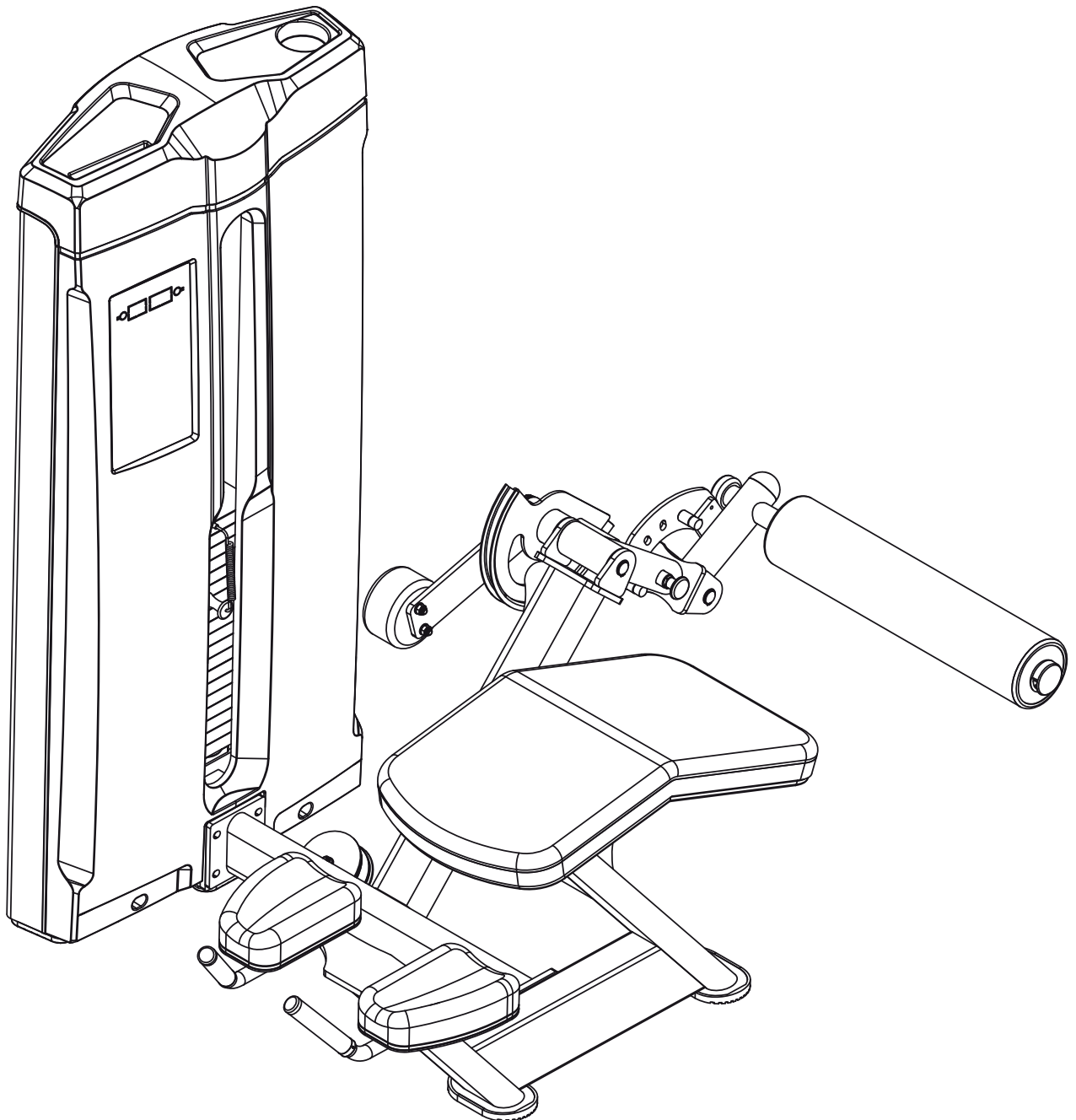
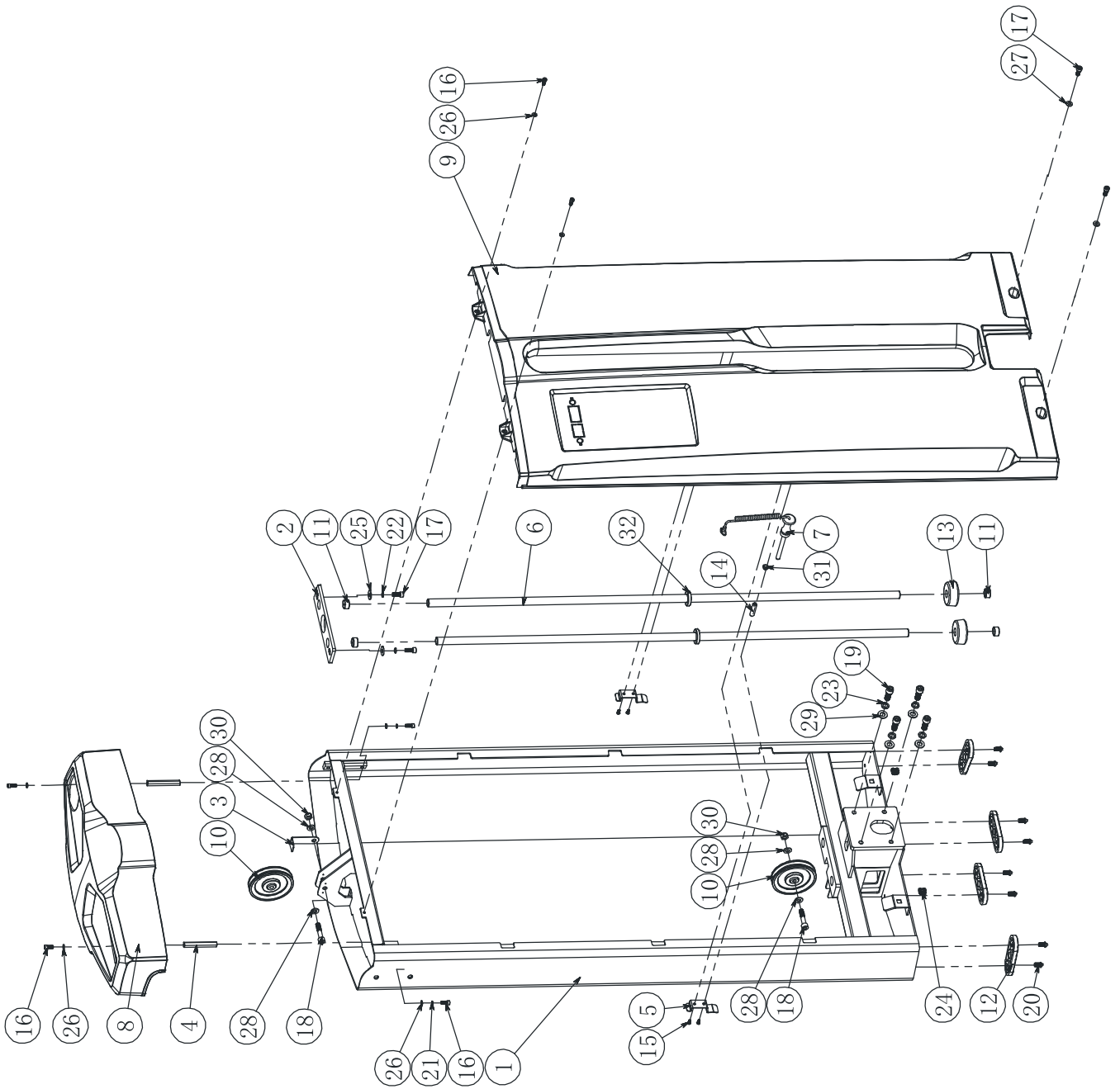


PC1634 Prone Leg Curl



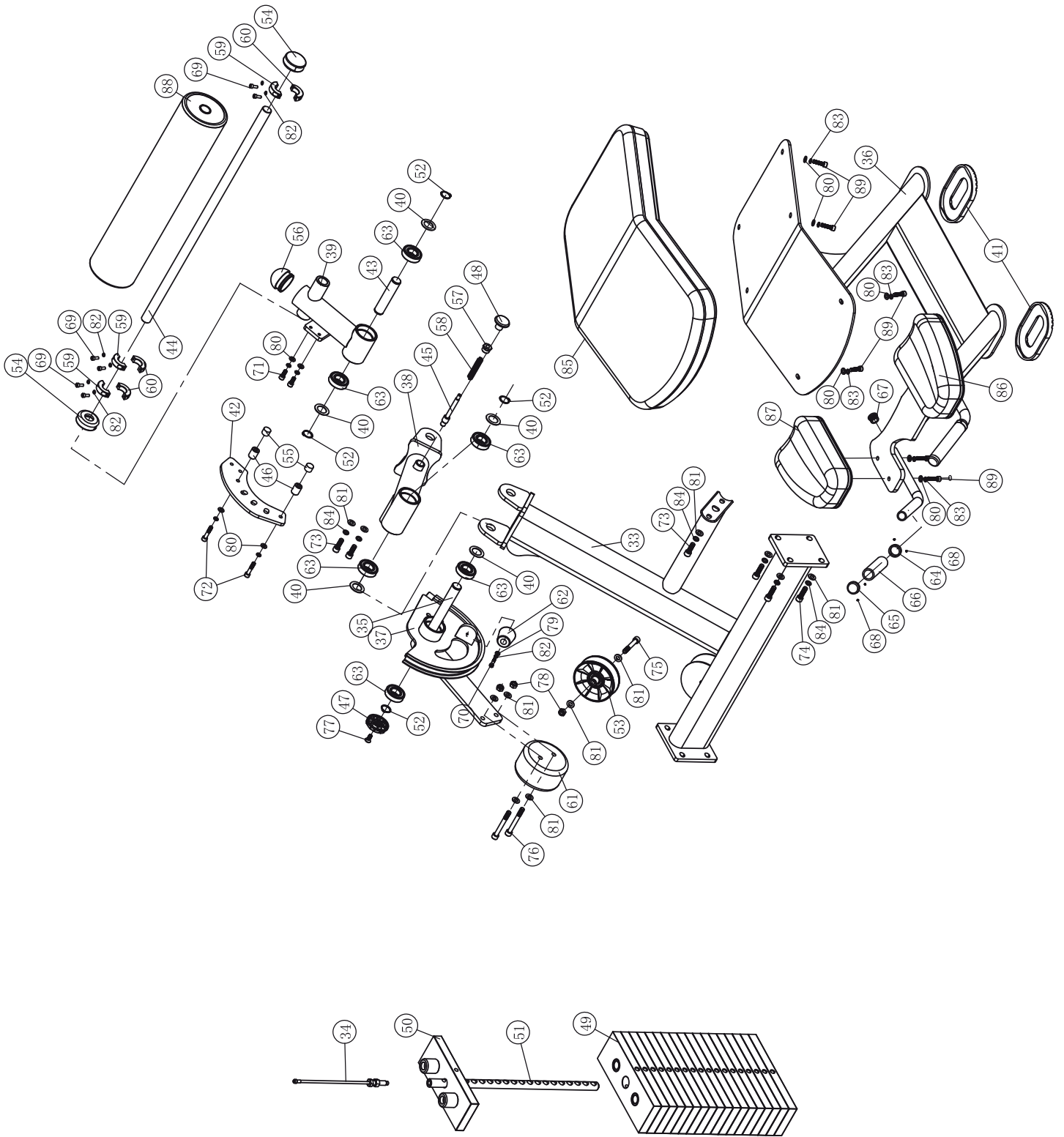
Doorframe Exploded View



Doorframe Exploded List

No.	Description	Specifications	Qty
1	Doorframe		1
2	Guild rod stator		1
3	Pulley catch		1
4	Shield fixation column		2
5	Shield fixation plate		2
6	Guide rod		2
7	Selector pin		1
8	Upper shield		1
9	Front shield		1
10	Pulley	Φ 114*25.4	2
11	Rod end cover		4
12	Rubber mat		4
13	Rubber bumper	Φ62*Φ20*26	2
14	Spring pin	Φ10*45	1
15	Cross recess pan head self-tapping screw	ST4.2*13	4
16	Hex socket head cap screw	M6*16	6
17	Hex socket head cap screw	M8*20	4
18	Hex socket head cap screw	M10*50	2
19	Hex socket head cap screw	M12*30	4
20	Hexagon socket button head screw	M8*16	8
21	Spring washer	M6	2
22	Spring washer	M8	2
23	Spring washer	M12	4
24	Cage nut	M8	2
25	Big washer	Φ24*Φ8.4*2	2
26	Plain washer	Φ12*Φ6.4*1.6	6
27	Plain washer	Φ16*Φ8.4*1.6	2
28	Plain washer	Φ20*Φ10.5*2	4
29	Plain washer	Φ24*Φ13*2.5	4
30	Nylon insert lock nut	M10	2
31	Stopple	Φ 10*8.5	1
32	Rubber bumper	Φ38*Φ21*10	2
33			
34			
35			
36			
37			
38			
39			
40			
41			
42			

Main frame Exploded View



Main frame Exploded List

No.	Description	Specifications	Qty
33	Middle link span		1
34	Cable set		1
35	Axle		1
36	Main frame		1
37	CAM component		1
38	Swing link frame		1
39	Lower swing span		1
40	Plastic washer		5
41	Affixed to shackle		2
42	Adjustment sheet		1
43	Axle		1
44	Swing axle		1
45	Pilot plunger		1
46	Spacer		2
47	End cap		1
48	Rotary knob		1
49	10lb weight stack plate		18
50	10lb counterweight		1
51	19holes shaft		1
52	Circlips for shaft	GB 894.1 25	4
53	Wide pulley		1
54	Protecting jacket		2
55	Limit circle pad		2
56	Hemisphere tube plug		1
57	M20 nut		1
58	Spring		1
59	Upper fixed ring		3
60	Lower fixed ring		3
61	Counter weight		1
62	Rubber bumper		1
63	Rolling bearing	GB T276-94 6205	6
64	Aluminum ring		2
65	Aluminum end cap		2
66	Handle grip		2
67	Tube stopper		2
68	Hexagon socket set screws with cone point	M4*3	8
69	Hex socket head cap screw	M6*15	6
70	Hex socket head cap screw	M6*30	1
71	Hex socket head cap screw	M8*20	2
72	Hex socket head cap screw	M8*40	2
73	Hex socket head cap screw	M10*30	4
74	Hex socket head cap screw	M10*35	4

Main frame Exploded List

No.	Description	Specifications	Qty
75	Hex socket head cap screw	M10*70	1
76	Hex socket head cap screw	M10*85	2
77	Countersunk hex socket screws	M8*20	1
78	Nylon insert lock nut	M10	3
79	Plain washer	Φ12*Φ6.4*1.6	1
80	Plain washer	Φ16*Φ8.4*1.6	14
81	Plain washer	Φ20*Φ10.5*2	14
82	Spring washer	M6	7
83	Spring washer	M8	14
84	Spring washer	M10	8
85	Seat pad		1
86	Left elbow pad		1
87	Right elbow pad		1
88	Long tube pad		1
89	Hex socket head cap screw	M8*30	10
90			
91			
92			
93			
94			
95			
96			
97			
98			
99			
100			
101			
102			
103			
104			
105			
106			
107			
108			
109			
110			
111			
112			
113			
114			
115			
116			